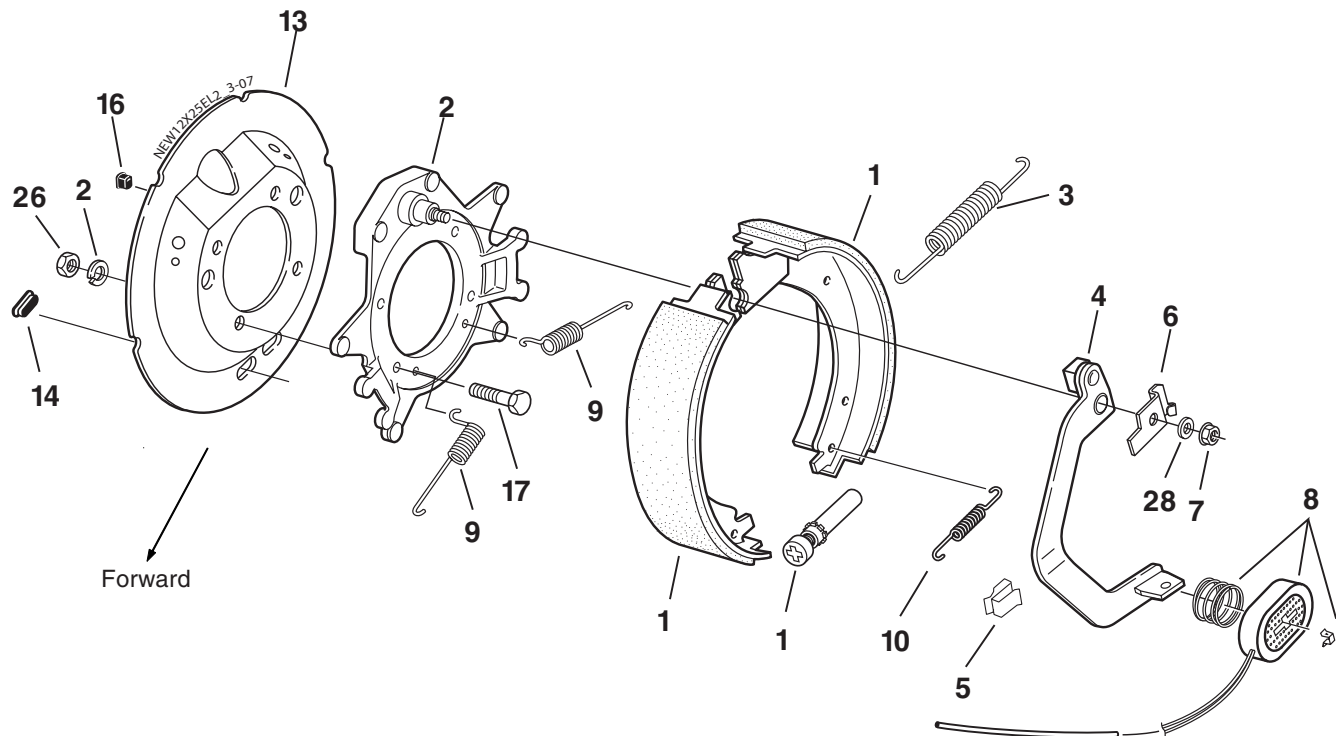


12¹/₄ x 2¹/₂" ELECTRIC BRAKE - CAST BACKING PLATE

CSA approved at 7100#/14.2 SLR

7200 LBS. CAPACITY



ELECTRIC BRAKE

Item	Part No.	Qty/Brk	Description
0	K23-428-00	1	LH Complete Brake Assembly (shown)
0	K23-429-00	1	RH Complete Brake Assembly
1	K71-497-00	1	LH Shoe & Lining Kit containing: 1 #040-348-01 LH Primary S&L 1 #040-349-02 LH Secondary S&L
1	K71-496-00	1	RH Shoe & Lining Kit containing: 1 #040-349-01 RH Primary S&L 1 #040-348-02 RH Secondary S&L
2	036-119-02	1	Backing Plate
3	046-119-00	1	Shoe Return Spring (grey)
4	047-124-05	1	LH Actuating Arm Assembly
4	047-125-05	1	RH Actuating Arm Assembly
5	027-039-00	3	Wire Clip
6	071-455-01	1	LH Lever Arm Retainer
6	071-455-02	1	RH Lever Arm Retainer
7	006-092-01	1	Flange Nut
8	K71-441-00	1	Magnet Kit containing: 1 #042-136-00 Magnet 1 #027-050-00 Magnet Retainer 1 #046-117-00 Magnet Spring
9	046-136-00	2	Centering Spring
10	046-018-00	1	Adjuster Spring (red)
11	048-017-00	1	Adjuster Assembly
*13	036-118-20	1	Dust Shield (sold separately)
*14	046-007-00	2	Adjuster Slot Plug
*16	046-016-00	1	Magnet Wire Grommet
*17	007-251-00	4	Brake Mounting Bolt
*26	006-129-00	4	Hex Nut
*27	005-058-00	4	Lockwasher
28	005-142-00	1	Washer

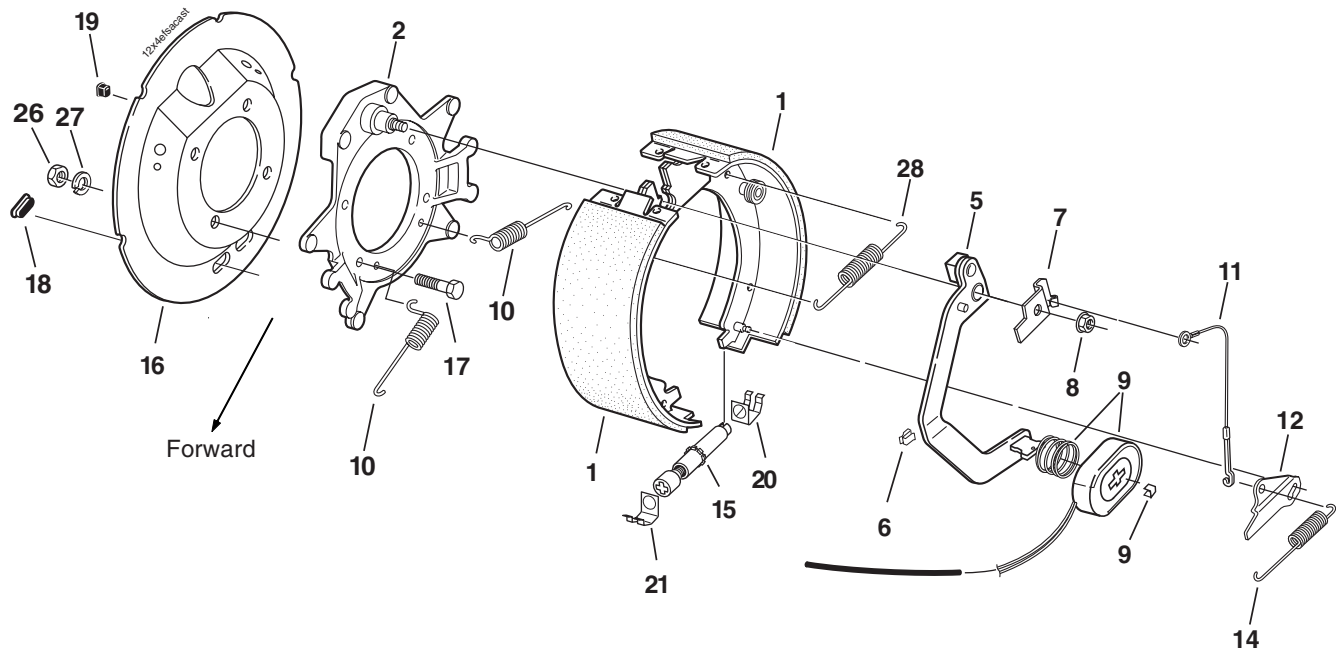
* Not included with complete brake assembly. Items sold separately.

**Brakes manufactured after
May 2000 use the
cast backing plate**

DEXTER AXLE

12¹/₄ x 3³/₈" 8K ELECTRIC BRAKE FSA - CAST BACKING PLATE

8000 LBS. CAPACITY



ELECTRIC BRAKE

Item	Part No.	Qty/Brk	Description
0	K23-434-00	1	LH Complete Brake Assembly (shown)
0	K23-435-00	1	RH Complete Brake Assembly
1	K71-499-00	1	LH Shoe & Lining Kit containing: 1 #040-350-01 LH Prim. Shoe & Lining 1 #040-351-02 LH Sec. Shoe & Lining
1	K71-498-00	1	RH Shoe & Lining Kit containing: 1 #040-351-01 RH Prim. Shoe & Lining 1 #040-350-02 RH Sec. Shoe & Lining
2	036-119-02	1	Backing Plate Assembly
5	047-123-38	1	LH Actuating Arm Assembly
5	047-123-37	1	RH Actuating Arm Assembly
6	027-039-00	3	Wire Clips
7	071-455-01	1	LH Arm/Shoe Retainer
7	071-455-02	1	RH Arm/Shoe Retainer
8	006-092-01	1	Flange Nut
9	K71-375-00	1	Magnet Kit containing: 1 #042-127-00 Magnet 1 #027-050-00 Magnet Retainer Clip 1 #046-117-00 Magnet Spring
10	046-136-00	2	Centering Spring
11	071-462-00	1	Adjuster Cable
12	071-464-00	1	LH Adjuster Lever
12	071-463-00	1	RH Adjuster Lever
14	046-137-00	1	Adjuster Spring
15	048-019-00	1	LH Adjuster Assembly (silver)
15	048-020-00	1	RH Adjuster Assembly (gold)
*16	036-115-20	1	Dust Shield
*17	007-097-00	4	Brake Mounting Bolt
*18	046-007-00	2	Adjuster Slot Plug
*19	046-016-00	1	Wire Grommet
20	046-133-00	1	Adjuster Clip (barrel end)
21	046-132-00	1	Adjuster Clip (thread end)
*26	006-129-00	4	Brake Mounting Nut
*27	005-058-00	4	Lockwasher
28	046-119-00	1	Return Spring

**Brakes manufactured after
April 2000 use the
cast backing plate**

* Not included with complete brake assembly. Items sold separately.

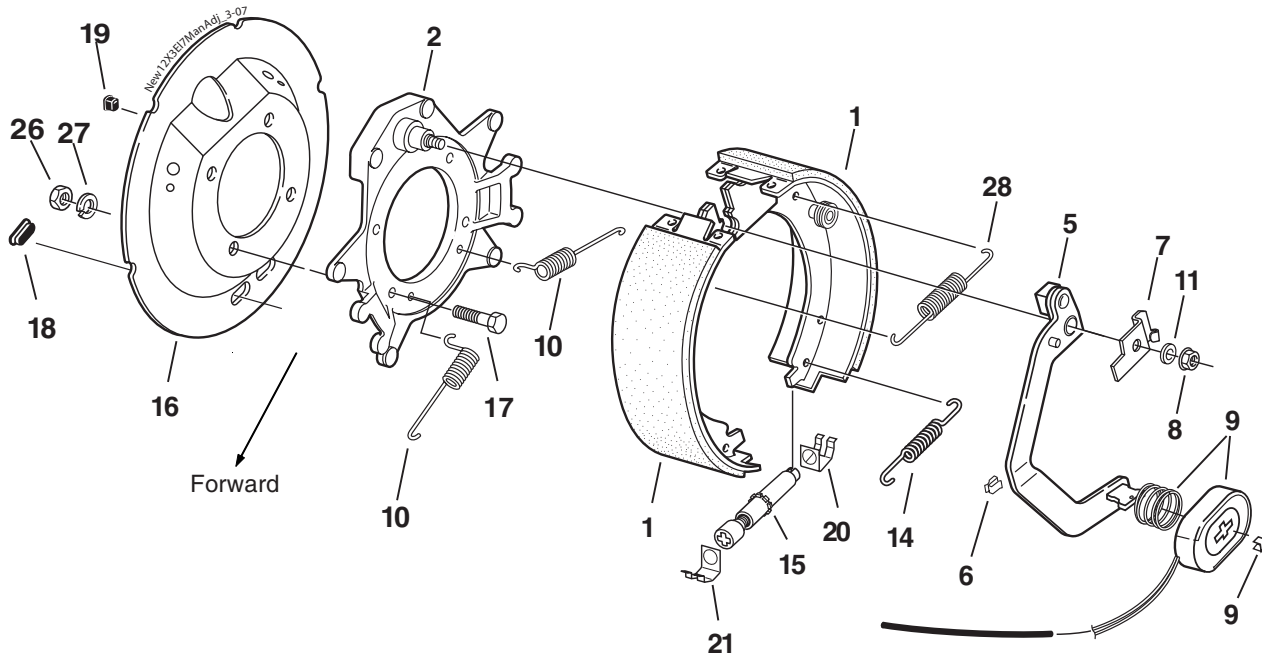
DEXTER AXLE

12¹/₄ x 3³/₈" 8K ELECTRIC BRAKE MANUAL ADJUST

CAST BACKING PLATE

CSA approved at 7000#/14.2 SLR

8000 LBS. CAPACITY



ELECTRIC BRAKE

Item	Part No.	Qty/Brk	Description
0	K23-432-00	1	LH Complete Brake Assembly (shown)
0	K23-433-00	1	RH Complete Brake Assembly
1	K71-499-00	1	LH Shoe & Lining Kit containing: 1 #040-350-01 LH Prim. Shoe & Lining 1 #040-351-03 LH Sec. Shoe & Lining
1	K71-498-00	1	RH Shoe & Lining Kit containing: 1 #040-351-01 RH Prim. Shoe & Lining 1 #040-350-03 RH Sec. Shoe & Lining
2	036-119-02	1	Backing Plate Assembly
5	047-123-18	1	LH Actuating Arm Assembly
5	047-123-17	1	RH Actuating Arm Assembly
6	027-039-00	3	Wire Clips
7	071-455-01	1	LH Arm/Shoe Retainer
7	071-455-02	1	RH Arm/Shoe Retainer
8	006-092-01	1	Flange Nut
9	K71-375-00	1	Magnet Kit containing: 1 #042-127-00 Magnet 1 #027-050-00 Magnet Retainer Clip 1 #046-117-00 Magnet Spring
10	046-136-00	2	Centering Spring
11	005-142-00	1	Washer
14	046-018-00	1	Adjuster Spring
15	048-017-00	1	Adjuster Assembly
*16	036-115-20	1	Dust Shield
*17	007-097-00	4	Brake Mounting Bolt
*18	046-007-00	2	Adjuster Slot Plug
*19	046-016-00	1	Wire Grommet
20	046-132-00	1	Adjuster Clip (thread end)
21	046-133-00	1	Adjuster Clip (barrel end)
*26	006-129-00	4	Brake Mounting Nut
*27	005-058-00	4	Lockwasher
28	046-119-00	1	Return Spring

* Not included with complete brake assembly. Items sold separately.

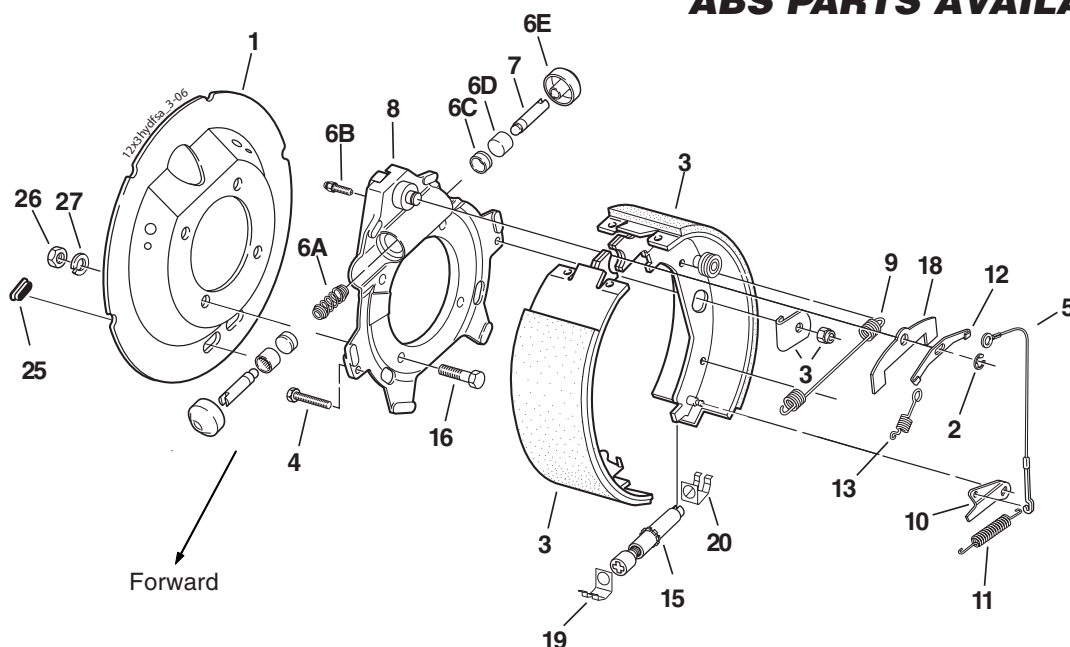
**Brakes manufactured after
April 2000 use the
cast backing plate**

DEXTER AXLE

12¹/₄ x 3³/₈" 8K HYDRAULIC BRAKE FSA

8000 LBS. CAPACITY

ABS PARTS AVAILABLE



HYDRAULIC BRAKE

Item	Part No.	Qty/Brk	Description
+0	K23-418-00	1	LH Complete Brake Assembly FSA US
+0	K23-419-00	1	RH Complete Brake Assembly FSA US
0	K23-402-00	1	LH Complete Brake Assembly FSA DS (shown)
0	K23-403-00	1	RH Complete Brake Assembly FSA DS
*1	036-115-20	1	Dust Shield
2	069-053-00	1	Retainer
3	K71-165-00	1	LH Shoe & Lining Kit containing: 1 #040-199-01 LH Prim. Shoe & Lining 1 #040-199-02 LH Sec. Shoe & Lining 2 #005-107-00 Shoe Hold Down Washer 2 #006-086-00 Locknut
3	K71-166-00	1	RH Shoe & Lining Kit containing: 1 #040-200-01 RH Prim. Shoe & Lining 1 #040-200-02 RH Sec. Shoe & Lining 2 #005-107-00 Shoe Hold Down Washer 2 #006-086-00 Locknut
4	007-113-00	2	Shoe Hold Down Screw
5	071-462-00	1	Adjuster Cable
6	K71-080-00	1	Wheel Cylinder Kit (1.00" Bore) containing: 1 #046-130-00 Spring (6A) 2 #054-032-00 Boot (6E) 2 #054-041-00 Piston (6D) 2 #054-085-00 Cup (6C) 1 #054-035-00 Bleeder Screw (6B)
7	054-033-00	1 or 2	Cylinder Push Rod US (1) DS (2)
8	036-064-06	1	LH Spider Assembly US (incl. items #4, 6, 7)
8	036-064-07	1	RH Spider Assembly US (incl. items #4, 6, 7)
8	036-064-03	1	Spider Assembly (incl. items #4, 6, 7) DS
9	046-087-00	1	Retractor Spring
10	071-464-00	1	LH Adjuster Lever
10	071-463-00	1	RH Adjuster Lever
11	046-135-00	1	LH Adjuster Spring
11	046-134-00	1	RH Adjuster Spring
12	071-456-00	1	Cable Attachment Bracket
13	046-131-01	1	Extension Spring
15	048-019-00	1	LH Adjuster Assembly
15	048-020-00	1	RH Adjuster Assembly
*16	007-097-00	4	Brake Mounting Bolt
18	034-062-00	1	Piston Stop
19	046-132-00	1	Adjuster clip (thread end)
20	046-133-00	1	Adjuster clip (barrel end)
*25	046-007-00	2	Adjuster Slot Plug
*26	006-129-00	4	Brake Mounting Nut
*27	005-058-00	4	Lockwasher

HYDRAULIC BRAKE - CORROSION RESISTANT DUO-SERVO ONLY

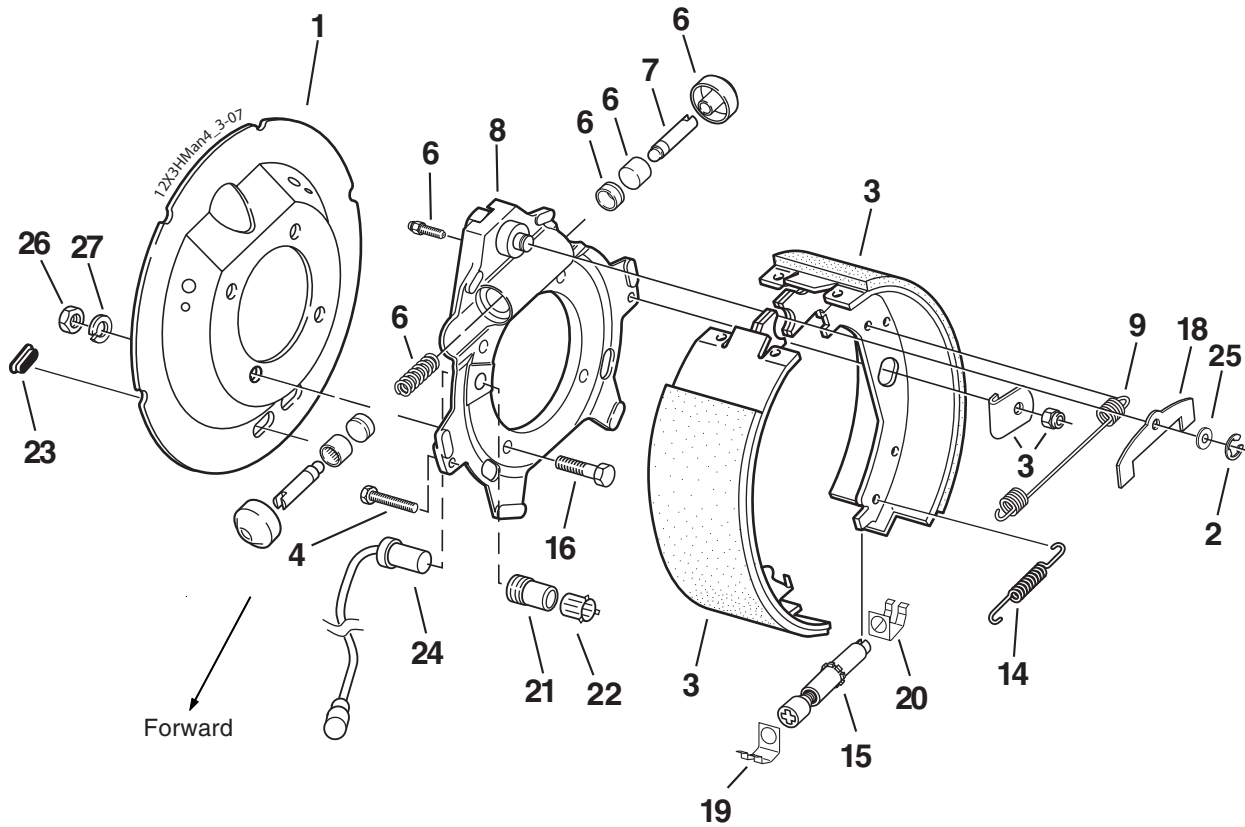
Item	Part No.	Qty/Brk	Description
0	K23-420-00	1	LH Complete Brake Assembly FSA
0	K23-421-00	1	RH Complete Brake Assembly FSA
*1	036-115-20	1	Dust Shield
2	069-053-00	1	Retainer
3	K71-437-00	1	LH Shoe & Lining Kit containing: 1 #040-199-05 LH Prim. Shoe & Lining 1 #040-199-06 LH Sec. Shoe & Lining 2 #005-107-02 Shoe Hold Down Washer 2 #006-086-00 Locknut
3	K71-438-00	1	RH Shoe & Lining Kit containing: 1 #040-200-05 RH Prim. Shoe & Lining 1 #040-200-06 RH Sec. Shoe & Lining 2 #005-107-02 Shoe Hold Down Washer 2 #006-086-00 Locknut
4	007-113-01	2	Shoe Hold Down Screw
5	071-462-00	1	Adjuster Cable
6A	046-130-00	1	Spring
6B	054-035-00	1	Bleeder Screw
6C	054-085-00	2	Cup
6D	054-083-00	2	Piston
6E	054-032-00	2	Boot
7	054-033-00	2	Cylinder Push Rod
8	036-064-14	1	Spider Assembly (incl. items #4, 6, 7) DS
9	046-087-01	1	Retractor Spring
10	071-464-00	1	LH Adjuster Lever
10	071-463-00	1	RH Adjuster Lever
11	046-135-01	1	LH Adjuster Spring
11	046-134-01	1	RH Adjuster Spring
12	071-456-00	1	Cable Attachment Bracket
13	046-131-02	1	Extension Spring
15	048-019-00	1	LH Adjuster Assembly
15	048-020-00	1	RH Adjuster Assembly
*16	007-097-00	4	Brake Mounting Bolt
18	034-062-02	1	Piston Stop
19	046-132-00	1	Adjuster Clip (thread end)
20	046-133-00	1	Adjuster Clip (barrel end)
*26	006-129-00	4	Brake Mounting Nut
*25	046-007-00	2	Adjuster Slot Plug
*27	005-058-00	4	Lockwasher

* Not included with complete brake assembly. Items sold separately.
+ Uni-servo version not shown.

DEXTER AXLE

12 1/4 x 3 3/8" 8K HYDRAULIC BRAKE MANUAL ADJUST

SHOWN WITH ABS PARTS



8000 LBS. CAPACITY

HYDRAULIC BRAKE

Item	Part No.	Qty/Brk	Description
0	K23-388-00	1	LH Complete Brake Assembly DS (shown)
0	K23-387-00	1	RH Complete Brake Assembly DS
*1	036-115-20	1	Dust Shield
2	069-053-00	1	Retainer
3	K71-165-00	1	LH Shoe & Lining Kit containing: 1 #040-199-01 LH Prim. Shoe & Lining 1 #040-199-02 LH Sec. Shoe & Lining 2 #005-107-00 Shoe Hold Down Washer 2 #006-086-00 Locknut
3	K71-166-00	1	RH Shoe & Lining Kit containing: 1 #040-200-01 RH Prim. Shoe & Lining 1 #040-200-02 RH Sec. Shoe & Lining 2 #005-107-00 Shoe Hold Down Washer 2 #006-086-00 Locknut
4	007-113-00	2	Shoe Hold Down Screw
6	K71-080-00	1	Wheel Cylinder Kit (1.00" Bore) containing: 1 #046-130-00 Spring 2 #054-032-00 Boot 2 #054-041-00 Piston 2 #054-085-00 Cup 1 #054-035-00 Bleeder Screw
7	054-033-00	2	Cylinder Push Rod
8	036-064-03	1	Spider Assembly (incl. items #4, 6, 7)
9	046-087-00	1	Retractor Spring
14	046-018-00	1	Adjuster Spring
15	048-017-00	1	Adjuster Assembly
*16	007-097-00	4	Brake Mounting Bolt

* Not included with complete brake assembly. Items sold separately.

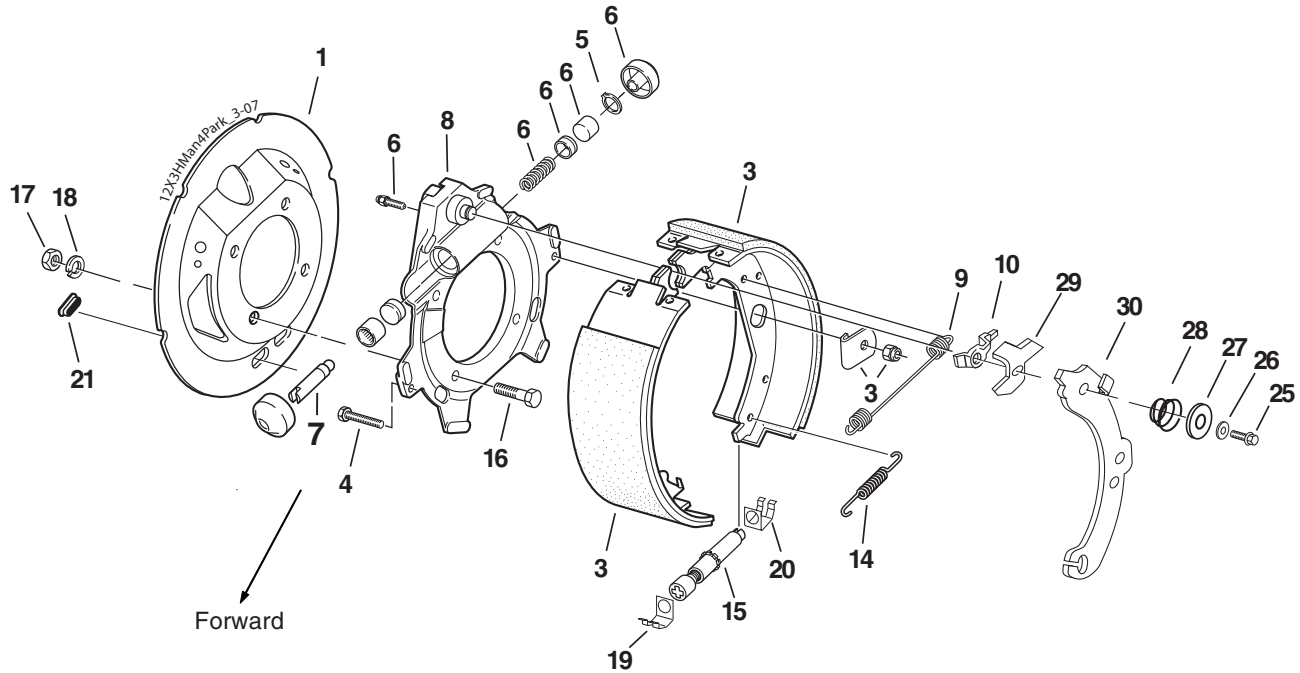
HYDRAULIC BRAKE

Item	Part No.	Qty/Brk	Description
18	034-062-00	1	Piston Stop
19	046-132-00	1	Adjuster Clip (thread end)
20	046-133-00	1	Adjuster Clip (barrel end)
*21	024-204-00	1	ABS Sensor Mounting Block
*22	097-002-00	1	ABS Sensor Retaining Clip
*23	046-007-00	2	Adjuster Slot Plug
*24	097-004-00	1	ABS Sensor (straight)
25	005-142-00	1	Washer
*26	006-129-00	4	Brake Mounting Nut
*27	005-058-00	4	Lockwasher

DEXTER AXLE

12¹/₄ x 3³/₈" 8K HYDRAULIC BRAKE UNI-SERVO WITH PARKING FEATURE (MANUAL ADJUST)

8000 LBS. CAPACITY



Note: Uni-servo brakes to be used with surge actuator

HYDRAULIC BRAKE

Item	Part No.	Qty/Brk	Description
0	K23-252-00	1	LH Complete Brake Assembly, US w/park (shown)
0	K23-253-00	1	RH Complete Brake Assembly, US w/park
*1	036-115-24	1	Dust Shield
3	K71-165-00	1	LH Shoe & Lining Kit containing: 1 #040-199-01 LH Prim. Shoe & Lining 1 #040-199-07 LH Sec. Shoe & Lining 2 #005-107-00 Shoe Hold Down Washer 2 #006-086-00 Locknut
3	K71-166-00	1	RH Shoe & Lining Kit containing: 1 #040-200-01 RH Prim. Shoe & Lining 1 #040-200-02 RH Sec. Shoe & Lining 2 #005-107-02 Shoe Hold Down Washer 2 #006-086-00 Locknut
4	007-113-00	2	Shoe Hold Down Screw
5	069-040-00	1	Snap Ring
6	K71-080-00	1	Wheel Cylinder Kit (1.00" Bore) containing: 1 #046-130-00 Spring 2 #054-032-00 Boot 2 #054-041-00 Piston 2 #054-085-00 Cup 1 #054-035-00 Bleeder Screw
7	054-033-00	1	Cylinder Push Rod-US
8	036-064-08	1	LH Spider Assembly (incl. items #4,5,6,7) US
8	036-064-09	1	RH Spider Assembly (incl. items #4,5,6,7) US
9	046-087-00	1	Retractor Spring

* Not included with complete brake assembly. Items sold separately.

HYDRAULIC BRAKE

Item	Part No.	Qty/Brk	Description
10	033-083-00	1	Spacer
14	046-018-00	1	Adjuster Spring
15	048-017-00	1	Adjuster Assembly
*16	007-097-00	4	Brake Mounting Bolt
*17	006-129-00	4	Brake Mounting Nut
*18	005-058-00	4	Lockwasher
19	046-132-00	1	Adjuster Clip (Thread End)
20	046-133-00	1	Adjuster Clip (Barrel End)
*21	046-007-00	2	Adjuster Slot Plug
25	007-096-00	1	Holddown Lever Bolt
26	005-143-00	1	Star Washer
27	005-065-00	1	Holddown Lever Washer
28	046-091-00	1	Holddown Lever Spring
29	039-055-00	1	Parking Cam LH
29	039-056-00	1	Parking Cam RH
30	047-089-00	1	Parking Lever LH
30	047-090-00	1	Parking Lever RH
ns	071-512-00	1	Parking Cable

ns - not shown

DEXTER AXLE